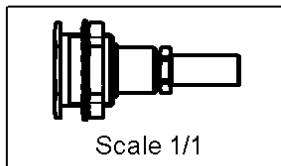
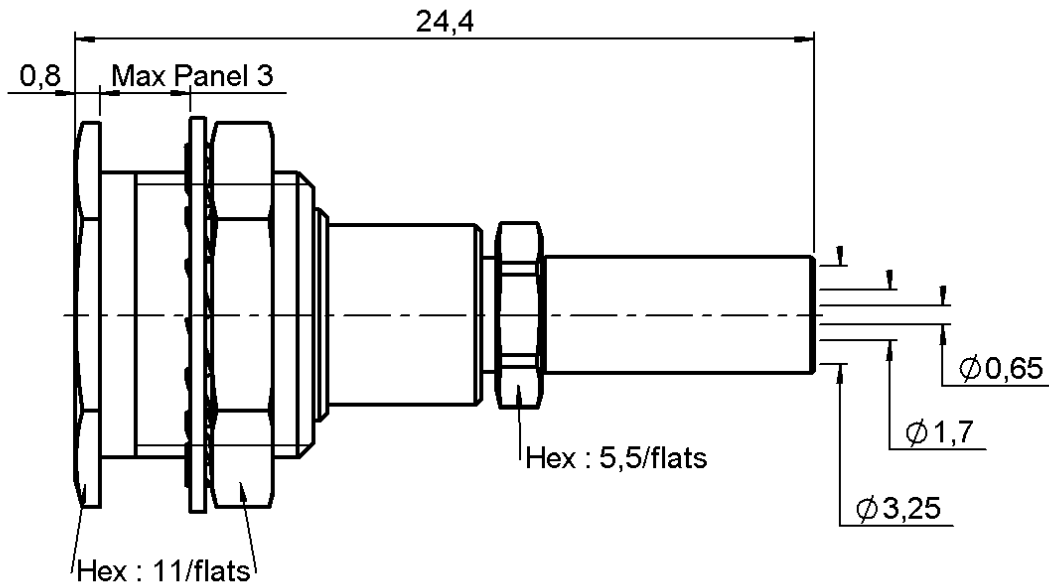


STRAIGHT BULKHEAD JACK CRIMP TYPE

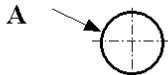
R114.316.020

FRONT MOUNT - CABLE 2.6/50+75 S

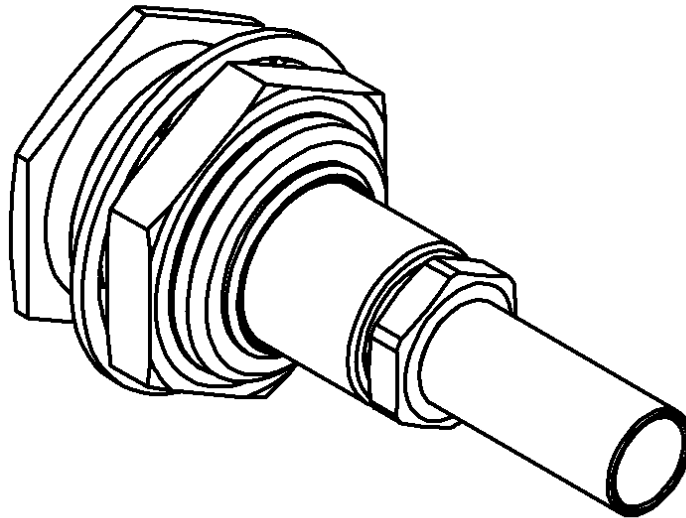
Series : SMB



PANEL CUT OUT



mm	
	Maxi mini
A	9.7 9.6



All dimensions are in mm.

COMPONENTS	MATERIALS	PLATING
BODY	BRASS	NICKEL 2 µm
CENTRE CONTACT	BRASS	GOLD 0.5 OVER NICKEL 2 µm
OUTER CONTACT	-	- µm
INSULATOR	PTFE	
GASKET	-	
OTHERS PARTS	BRASS	NICKEL 2 µm
-	-	-
-	-	-



Edition : 9850 F

Design changes may be in order to improve the product.

STRAIGHT BULKHEAD JACK CRIMP TYPE

R114.316.020

FRONT MOUNT - CABLE 2.6/50+75 S

Series : **SMB**

ELECTRICAL CHARACTERISTICS

Impedance **50** Ω
 Frequency **0-4** GHz
 VSWR **1.25 + 0.040** x F(GHz) Maxi
 Insertion loss **0.25** √F(GHz) dB
 RF leakage - (**57** - F(GHz)) dB mini
 Operating temperature **-65/+165** °C
 Voltage rating **335** Veff Maxi
 Dielectric withstanding **1000** Veff mini
 Insulation resistance **1000** MΩ mini

SPECIFICATION

Stripping	a	b	c	d	e	f
mm	2.20	5.40	15.5	0.00	13.3	0.00

Assembly instruction : **Crimp 10**

Recommended cables

RG 316
 RG 188
 RG 187
 KX 22A
 RG 179

Cable retention

- pull off **110** N mini
 - torque **NA** N.cm

MECHANICAL CHARACTERISTICS

Centre contact retention
 Axial force – Mating end **10** N mini
 Axial force – Opposite end **10** N mini
 Torque **NA** N.cm mini

TOOLING

Part Number	Description	Hexagon
.	.	.
R282.235.003	CRIMPING DIES	3.25
R282.211.000	CRIMPING TOOL	3.25
R282.293.000	CRIMPING TOOL	-

Recommended torque
 Mating **NA** N.cm
 Panel nut **60** N.cm
 Clamp nut **70** N.cm
 A/F clamp nut **5.500** mm

OTHERS CHARACTERISTICS

Mating life **500** Cycles mini
 Weight **0.000** g

ENVIRONMENTAL

Hermetic seal **NA** Atm.cm3/s
 Leakage – pressurised only **NA** Mpa



Edition : 9850 F

Design changes may be in order to improve the product.